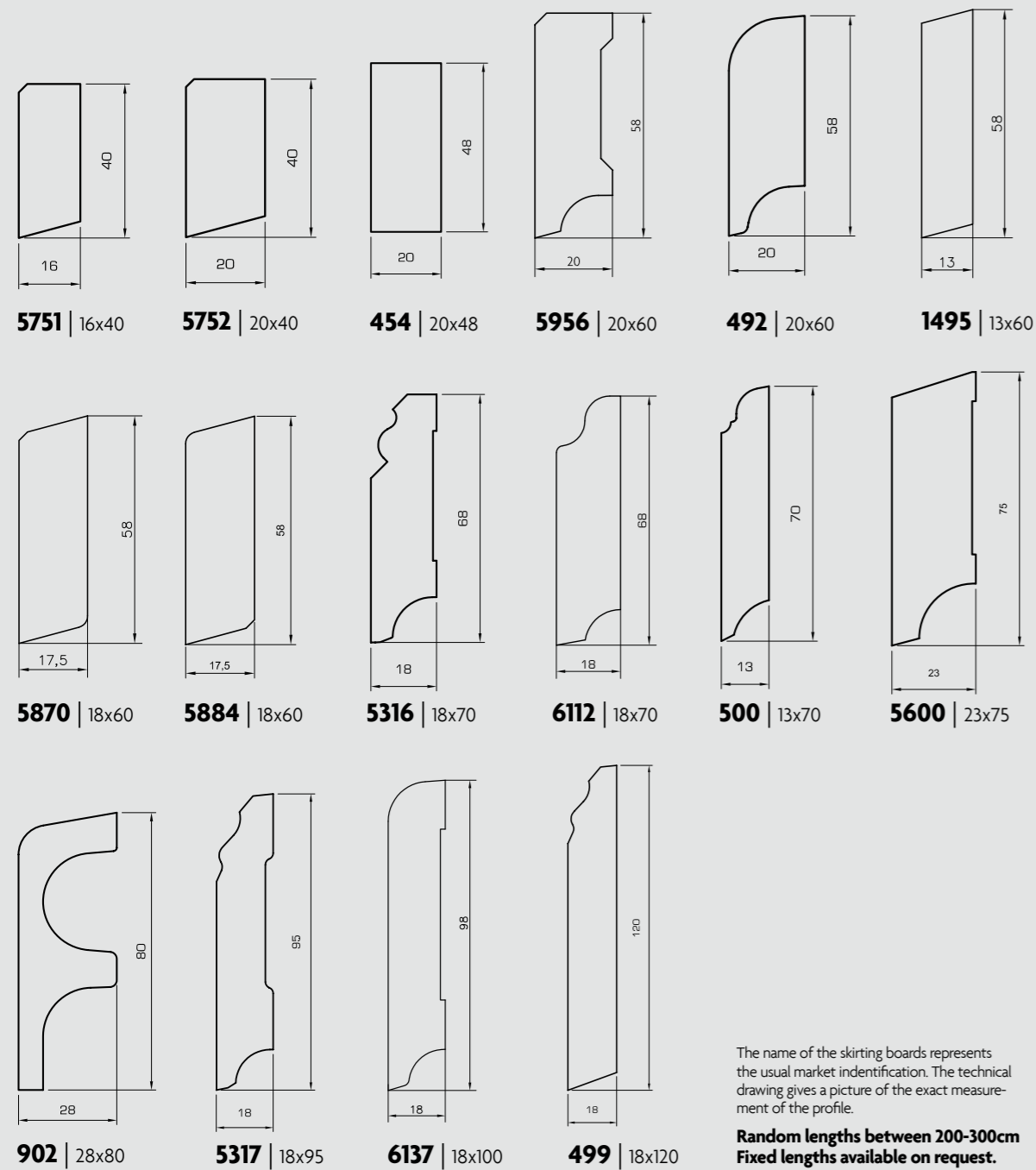
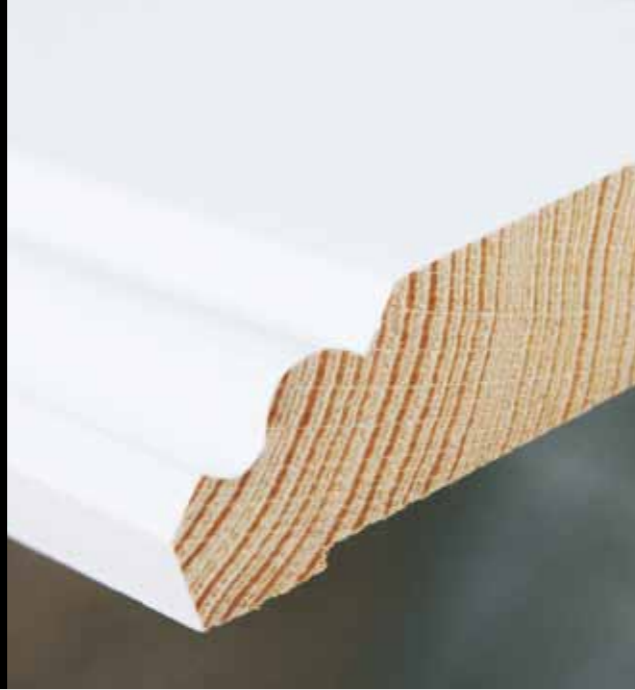


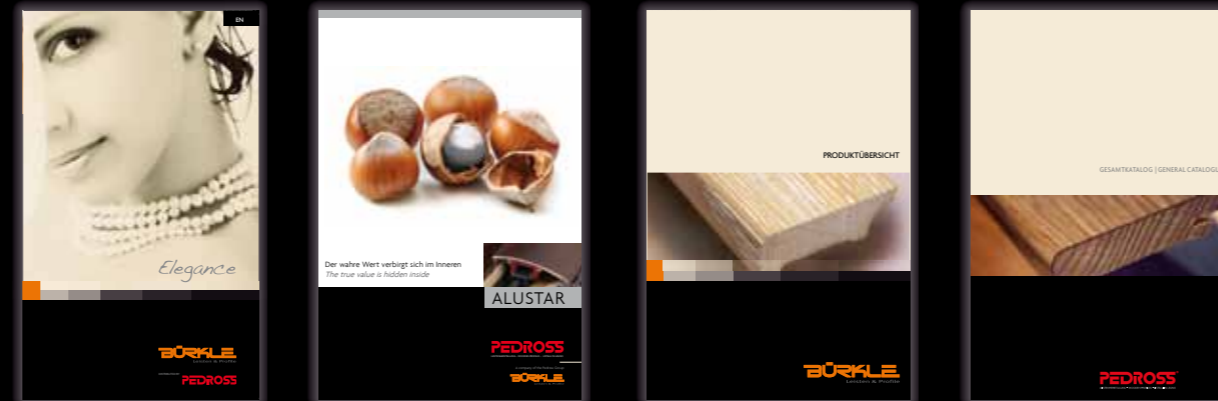
SOLID SKIRTING BOARDS

We use only selected lumber of the highest quality to process the ageless skirting boards from our W&B solid range. We use Pine and Wawa/Abachi as the base material in order that the wood can keep its natural characteristics and structure. With this collection, you can choose from an excellent selection of solid profiles as part of our large range. We would also produce stainings for you on request.

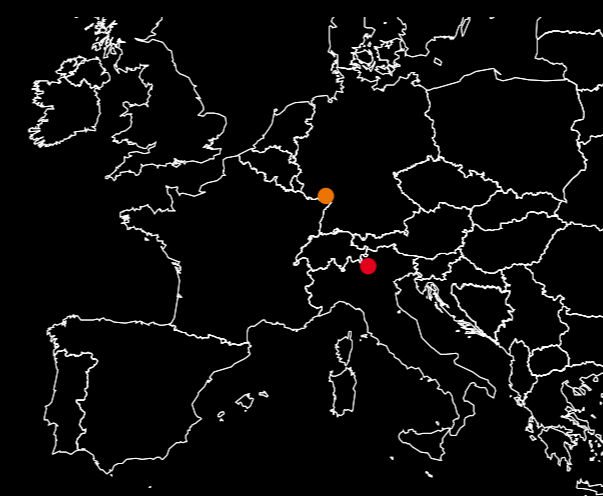


The name of the skirting boards represents the usual market identification. The technical drawing gives a picture of the exact measurement of the profile.
Random lengths between 200-300cm
Fixed lengths available on request.

ASK ABOUT OUR OTHER CATALOGUES



Have you seen our advertisements in the main magazines yet?



Bürkle Leisten & Profile GmbH • Postfach 12 44, D-67202 Frankenthal • Siemensstr. 30, D-67227 Frankenthal
 Tel. +49 (0) 6233 373 0 • Fax +49 (0) 6233 373 111 • info@buerkle-leisten.de • www.buerkle-leisten.de

BÜRKLE
 Leisten & Profile
 Ein Unternehmen der Pedross-Gruppe



Karl Pedross S.p.A • I-39021 Laces (BZ) • Zona Industriale 1C
 Tel. +39 0473 722200 • Fax +39 0473 722300
 info@pedross.com • www.pedross.com

PEDROSS
 LEISTENHERSTELLUNG - WOODEN PROFILES - USTELLINI LEGNO

INTERNATIONAL EDITION WHITE & BLACK

Elegance and Harmony for your Home Comfort.



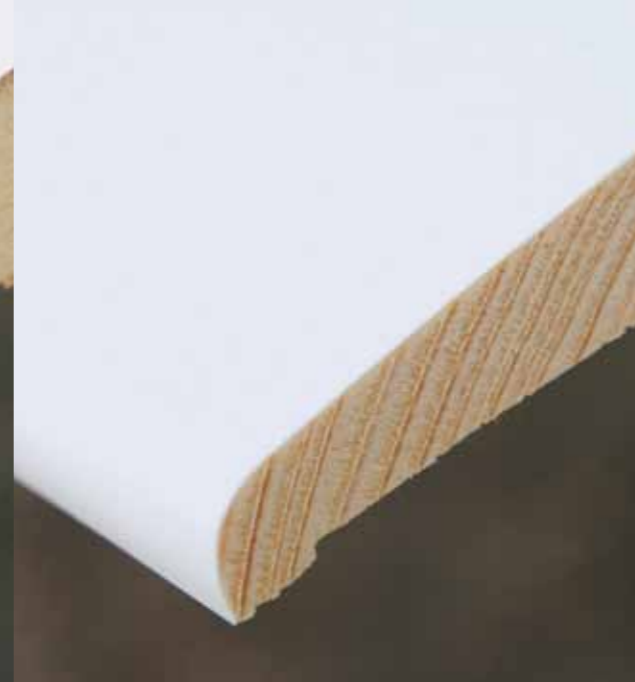
BÜRKLE
 Leisten & Profile

DISTRIBUTED BY
PEDROSS



MDF SKIRTING BOARDS

The base material of our foiled skirting boards is MDF (Medium Density Fibreboard). Covered with a white pre-varnished prime foil, the skirtings can be painted with any colour and can therefore be matched to any colour of the wall or of the room. These skirting boards can also be installed without any extra treatment, because there is no dirt adhesion as with normal prime foils. Special RAL varnishes are also possible on request.

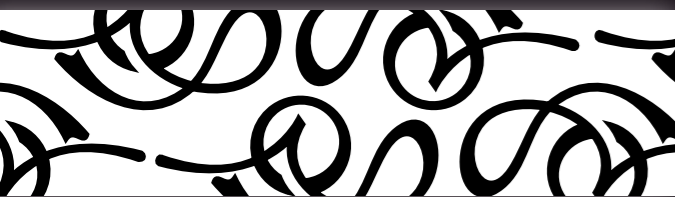


VENEERED SKIRTING BOARDS

In processing our high quality skirting boards, we only use indigenous spruce wood from sustainably managed forests, FSC and PEFC certified. The white covered skirting boards are additionally sealed with an extra white covering varnish. If you would like to see the wood structure, we offer our veneered skirting boards in various degrees of white, which covers the wood veneer in white ash and in white oak.

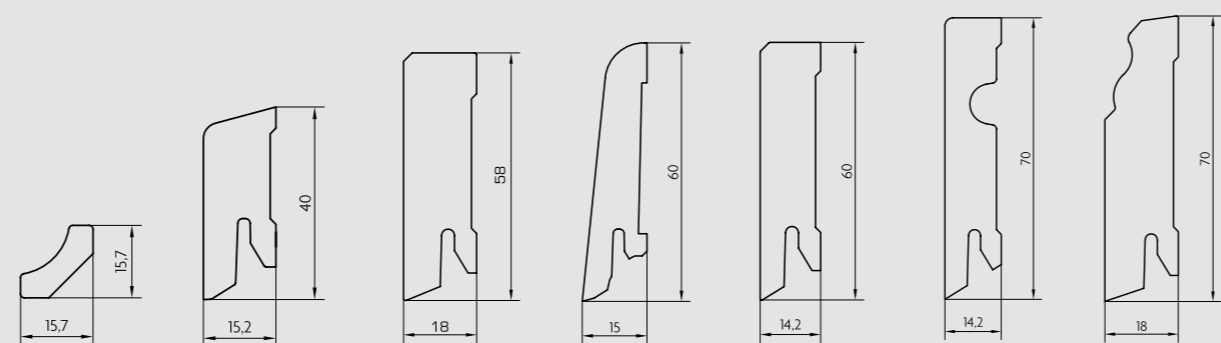
*Stark contrasts
awake strong emotions.
Love and hate. Light and dark.
White and black*

Martin Pedross 



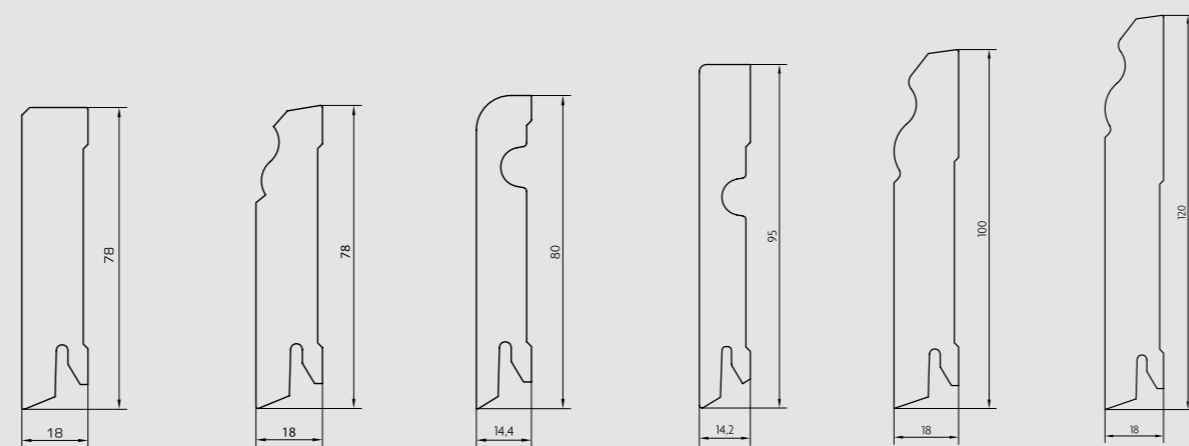
The elegant, puristic skirting line with its special style is your perfect finish to your floor. In following the trend to white skirting boards, the white and black skirting collection has been further developed. The range is especially designed for you and is made up of white solid wood skirting boards, white veneered skirting boards, as well as skirtings with an MDF base, which come with a pre-varnished white prime foil that is not so susceptible to dirt.

NOW NEW IN THE COLLECTION!
BLACK FINISH FOIL AND DIGITALLY PRINTED SKIRTING BOARDS IN TRENDY DESIGNS!



6047 | HKL 15,7 **6082** | 16x40 **6360** | 18x60 **6064** | KS 60 **6055** | 15x60F **6118** | 15x70 **5910** | 18x70

Black foiled skirtings are also available



6361 | 18x80 **6339** | 18x80 **6087** | 15x80 **6119** | 18x95 **5535** | 18x100 **5911** | 18x120

Black foiled skirtings are also available

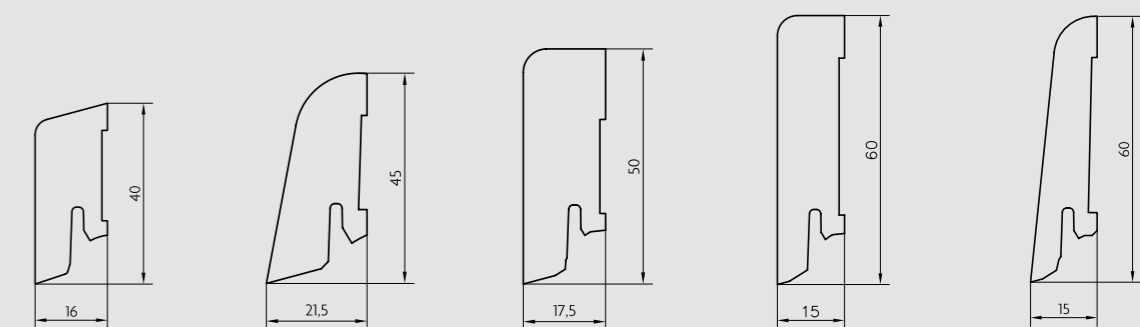
Profile 6361
Digitally printed flowery designs are available.



Decor D010078 Decor D010079

The name of the skirting line represents the usual market identification. The technical drawing gives a picture of the exact measurement of the profile.

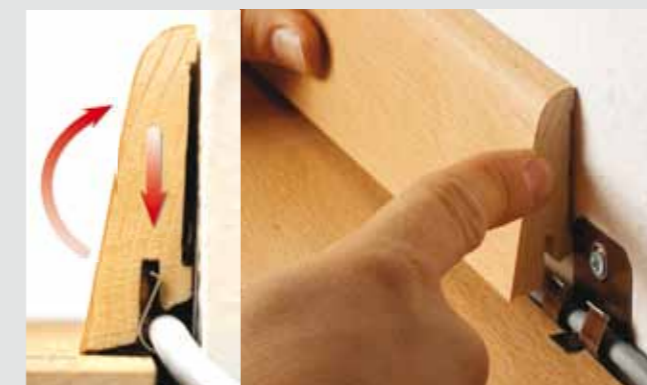
The standard length is 250cm.



Bürkle **8143** Pedross **16x40** Bürkle **8145** Pedross **22x45** Bürkle **8160** Pedross **18x50** Bürkle **8166** Pedross **16x60** Bürkle **8165** Pedross **KS 60**

The name of the skirting line represents the usual market identification. The technical drawing gives a picture of the exact measurement of the profile.

The standard length is 250cm.



CLIPSTAR

Our Clipstar clip system guarantees an invisible fixation of our wood veneered and MDF skirting boards. This is possible for skirtings between 40-120mm in height and from 14-22mm in width. The patented "push and press" mechanism also works if walls are not 100% straight!